

Specifications

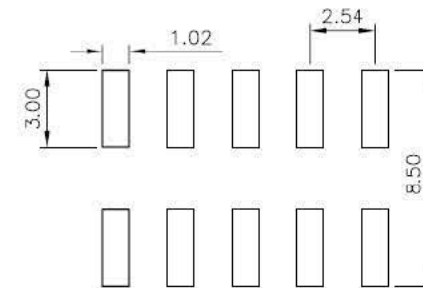
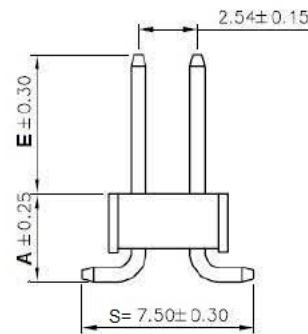
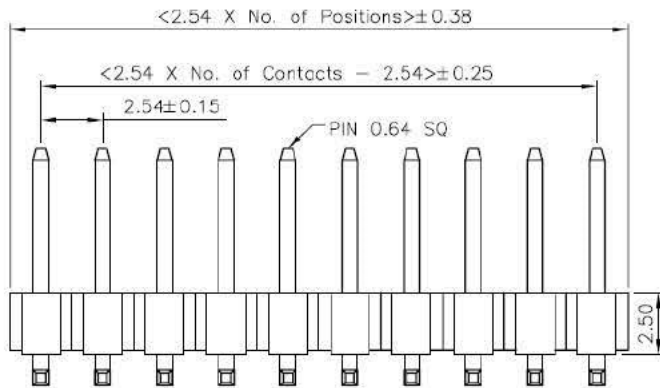
Current Rating: 3Amp
 Insulation Resistance: 1000M Min. Ω
 Dielectric Withstanding: 600V AC
 Contact Resistance: 20m Max Ω
 Operating Temperature: -40°C to +105°C

Materials

Contact Material: Brass/ Gold Flash
 Insulation Material: Polyester, UL 94V-0
 Nylon 6T

All materials must be GP materials

Recommended P.C.Board
 Hole Layout



| | | | |
|---|-----------------|---|--|
| TOLERANCE | |  | |
| SCALE | UNIT mm | | |
| DRAW Walter | DATE 10.10.2021 | TITLE | |
| CHECK Vanda | REV | SM C02 2200 XX BD S=7,5mm | |
|  | | DESCRIPTION | |
| | | Pin Header SMT Dual Rows RM2,54 S=7,5mm | |